

General Description

The access call board annunciates calls generated by call switches in cells to the control panel via LED indication and sounder.

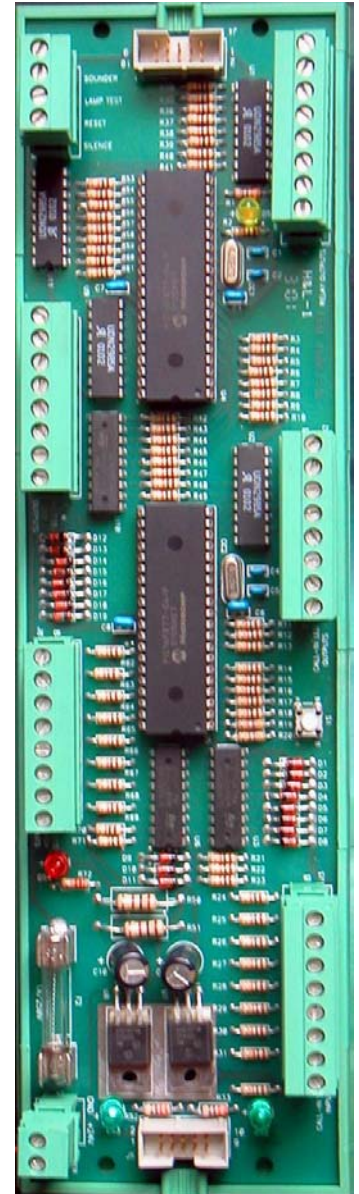
Inmate access control switches on the panel can allow inmate calls to be processed as calls to the control panel. The access call board can allow inmates to directly access door control for the corresponding cell.

The inputs to the board include access switches from the control panel, call switches from the field, and miscellaneous inputs such as silence, reset, and lamp test. The outputs include access LEDs and call LEDs to the control panel, general purpose relay outputs, and a sounder. The LED outputs are current-limited. The access call board is ideal for handling inmate access, inmate calls, and intercom call-ups with nurse call integration capability.

Ribbon cable connections are provided to cascade multiple access call boards together for sharing silence, reset, lamp test, sounder, and power to simplify installation.

Features

- Handles up to 8 access call points
- LED indication and fused protection for input power
- Separate LEDs to indicate power for each of the microcontrollers
- LED indication for the state of communication between the two microcontrollers
- Capable of sourcing and sinking type control
- Capable of sourcing and sinking type output
- Debounce filtering for switch inputs
- General purpose outputs available
- Current limited outputs for LEDs
- Built-in lamp test for all LED outputs
- Sounder output indicating an active call-in with silence and reset functions
- Ribbon cable interface for cascading power, silence, reset, lamp test, and sounder functions to multiple boards
- Connector plugs and headers provided for ease of installation and troubleshooting
- Standard din rail mount provided
- Compatible with hardwired, PLC, or other processor based systems
- 5 year limited warranty



Specifications

Input Voltage: 22-28VDC

Current Consumption @ 24VDC w/no Load:

- 50mA during initial power up
- 3mA for each additional active access input
- 3mA for each additional active call input

Power Consumption @ 24VDC w/no Load:

- 1.2W during initial power up
- 72mW for each additional active access input
- 72mW for each additional active call input

Fuse Ratings: 1A(max)/250V fast blown for input power

Control Voltage:

+24VDC (sourcing) or Common Ground (sinking)

Output Voltage:

+24VDC (sourcing) or Common Ground (sinking)

Output Current (max):

250mA for sourcing output, 500mA for sinking output.

Cable Termination:

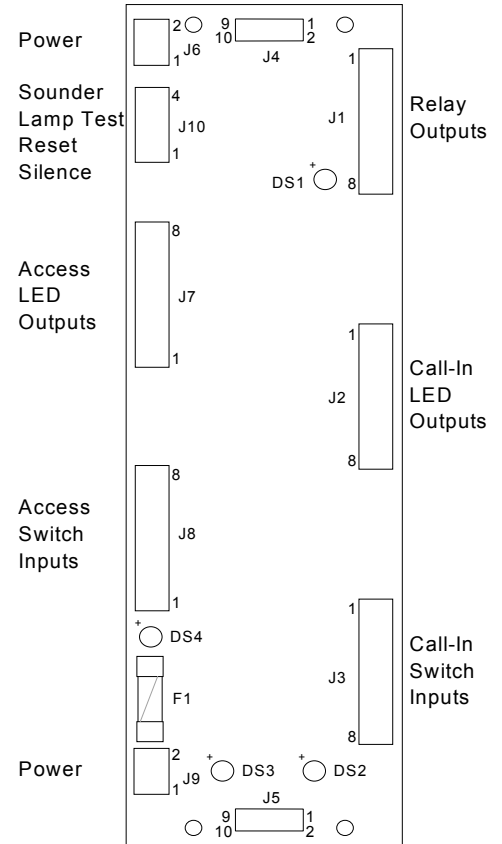
- Screw terminal blocks, 10sq mm, 30-12 AWG.
- Ribbon cable connections, 10 conductors, 28 AWG.

Operating Temperature:

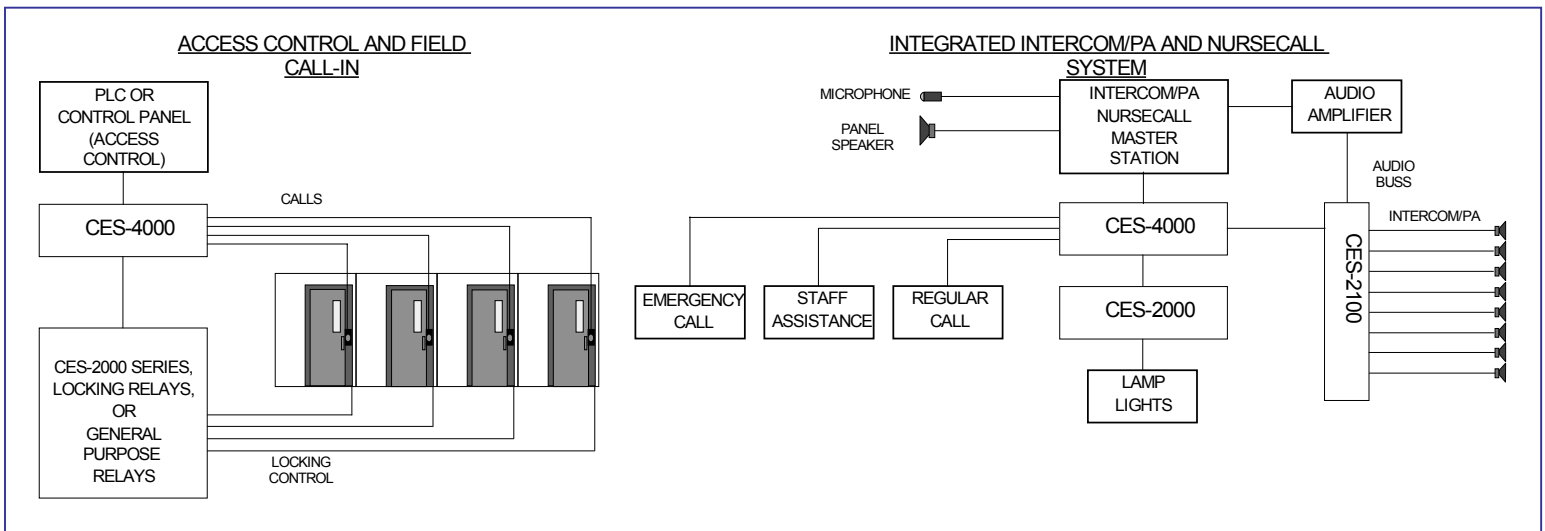
-20°C to +85°C operating, -55°C to +150°C storage.

Dimensions (Length x Width x Height):

10⁵/₈" x 3" x 2¹/₄" (27cm x 7.6cm x 5.7cm) including rail mounts



Applications



Ordering Information

Access Call Board	
Sinking In / Sinking Out	CES-4000A
Sourcing In / Sourcing Out	CES-4000B
Sinking In / Sourcing Out	CES-4000C
Sourcing In / Sinking Out	CES-4000D
Modified (specify control and output type for each input and output)	CES-4000MOD

Available Accessories:	
General Purpose Relay	CES-2000
Audio Switching Relay Card	CES-2100

Correctional Electronics Supply, Inc.

2900 Cole Court
Norcross, GA. USA 30071
Ph: (770) 729-9395

sales@cesiusa.com