

General Description

The switch interface board provides momentary, pulsing, and latching (alternate action) operating functions using momentary switches all through discrete, non-processed, electronics.

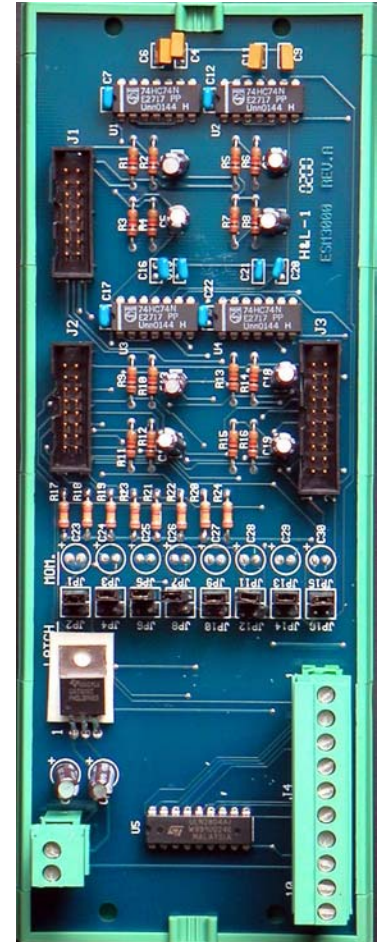
Dry contacts activate each switch input with no external common voltage. The switch interface board provides both current limited outputs for illuminating panel LEDs to indicate output state. Non-current-limited outputs are provided to energize devices such as relays.

With on board ribbon cable connections, panel LEDs and switches can be easily attached to ribbon cable wiring for panel installation. For field installation, screw terminal connections are provided for field wiring.

The switch interface board interfaces directly with CESI series relay cards for power up and relay activation.

Features

- Handles up to eight (8) input-output pairs
- Can configure each input individually to momentary, pulsing, or latching switch operations through on board jumpers
- Debounce filtering for switch inputs
- General purpose outputs for driving relays
- Current limited outputs for illuminating LEDs
- Obtains power from CES-2000 series boards, requiring no external power supply connections or may be hardwired to a separate power supply
- Easy interface through ribbon cable connections to CES-2000 series and CES-100 boards
- Connector plugs and headers provided for ease of installation and troubleshooting
- Standard din rail mount provided
- Compatible with hardwired, PLC, or other processor based systems
- 5 year limited warranty



Specifications

Input Voltage: 22-28VDC

Current Consumption @ 24VDC:

- 7mA during initial power up
- 5mA for each additional active input
- 50mA with all inputs active (max)

Power Consumption @ 24VDC:

- 170mW during initial power up
- 120mW for each additional active input
- 1.2W with all inputs active (max)

Control Voltage: +5VDC system positive

Output Voltage: Common Ground (sinking)

Output Current (max): 500mA per output

Cable Termination:

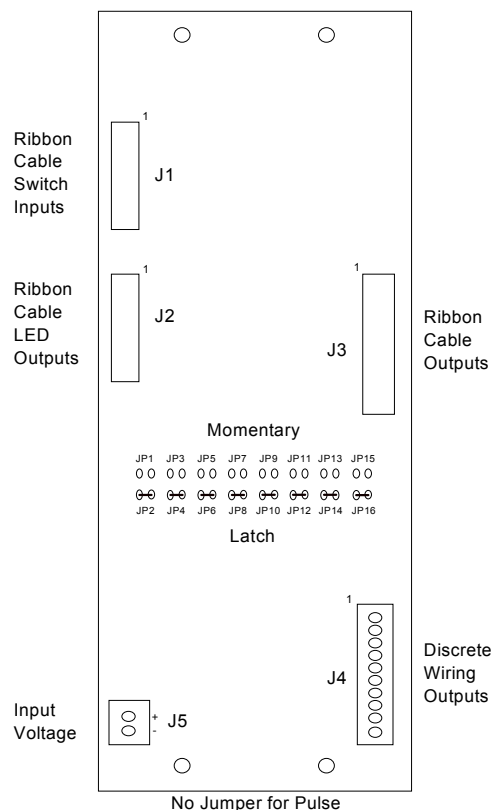
- Screw terminal blocks, 10sq mm, 30-12 AWG.
- Ribbon cable connections, 16 and 20 conductors, 28 AWG.

Operating Temperature:

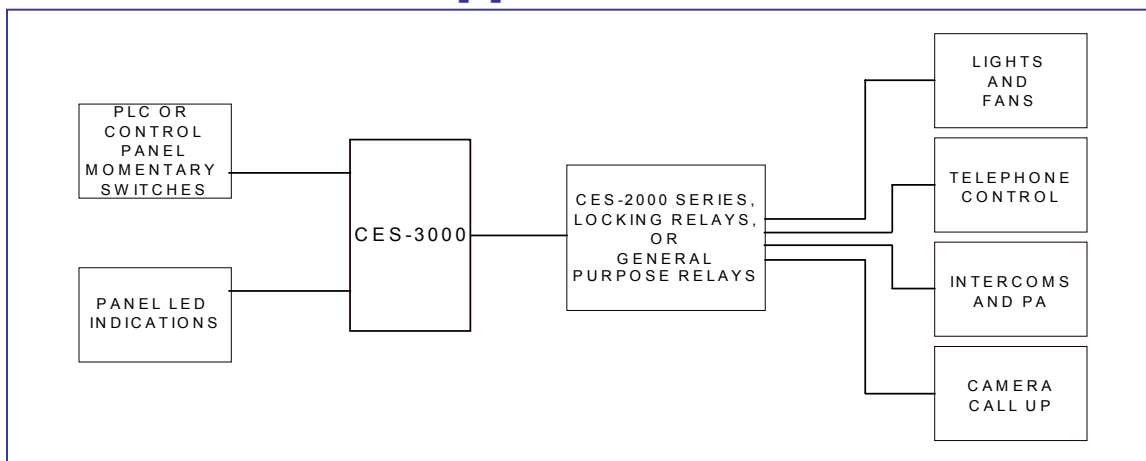
-20°C to +85°C operating, -55°C to +150°C storage.

Dimensions (Length x Width x Height):

8" x 3" x 2¼" (20.4cm x 7.6cm x 5.7cm)
including rail mounts



Applications



Ordering Information

Switch Interface CCA

Latch (Alternate Action)	CES-3000A
Momentary	CES-3000B
Pulse	CES-3000C
Modified	CES-3000MOD
(combination of latch, momentary, and/or pulse mode)	

Available Accessories:

General Purpose Relay Card	CES-2000
Locking Relay Card Sinking	CES-2200

Correctional Electronics Supply, Inc.

2900 Cole Court
Norcross, GA. USA 30071
Ph: (770) 729-9395

sales@cesiusa.com