

General Description

The locking relay card provides control for low voltage, high voltage, and high current devices. It is ideal for operating low-volt and high-volt locks, HVAC systems and air handler shutdowns, lights and fans, and vehicle/pedestrian gates.

The locking relay card is available in 12VDC and 24VDC operation. The locking relay card is also available in either sourcing or sinking type control to accommodate different control methods.

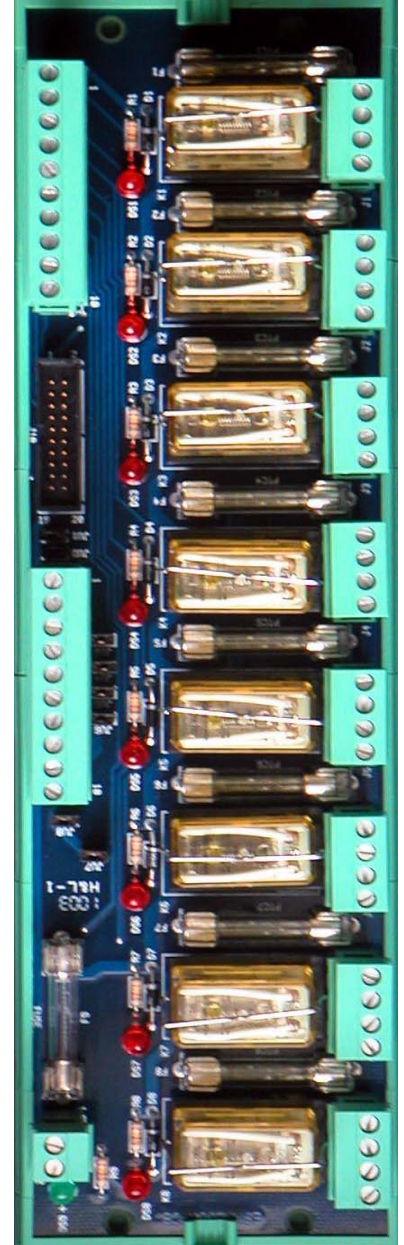
Compared to hardwired relays and bases, the locking relay card provides a cost effective, quick and reliable field installation.

For control panel installation, a ribbon cable connector is provided for direct connection to the panel switches for relay activation. For field installation, screw terminal connections are provided for field wiring.

The locking relay card easily interfaces with CESI switch interface board and emergency release sequencer for power up, individual relay activation, and to perform group unlock and emergency release operations.

Features

- Eight (8) SPDT (1 form C) relays
- Each relay output is individually fused
- Input power fused protection with LED indication
- Status LED for each individual relay
- EMF diode suppression for each diode
- Relay contacts accessible through modular 4 position connectors
- Relay outputs may be used discretely or with bussed commons using on board jumpers
- Relay control through discrete wiring or ribbon cable
- Capable of sourcing or sinking type control
- Connector plugs and headers provided for ease of installation and troubleshooting
- Standard din rail mount provided
- Compatible with hardwired, PLC, or other processor based systems
- 5 year limited warranty



Specifications

Input Voltage: 12VDC or 22-28VDC

Current Consumption @ 24VDC:

16mA during initial power up w/no relays energized

Additional 30mA per energized relay

330mA with all 8 relays energized at once (max)

Power Consumption @ 24VDC:

385mW during initial power up w/no relays energized

Additional 720mW per energized relay

8W (max)

Fuse Ratings:

1A(max)/250V fast blown for input power

10A(max)/250V fast blown for each relay output

Control Voltage:

+24VDC (sourcing) or Common Ground (sinking)

Contact Ratings: 10A @ 240VAC, 10A @ 30VDC

Cable Termination:

Screw terminal blocks, 10sq mm, 30-12 AWG.

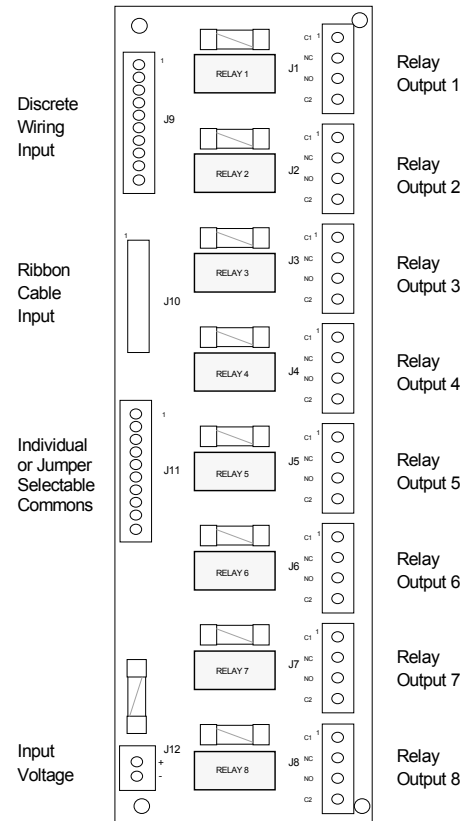
Ribbon cable connection, 20 conductors, 28 AWG.

Operating Temperature: -55°C to +175°C

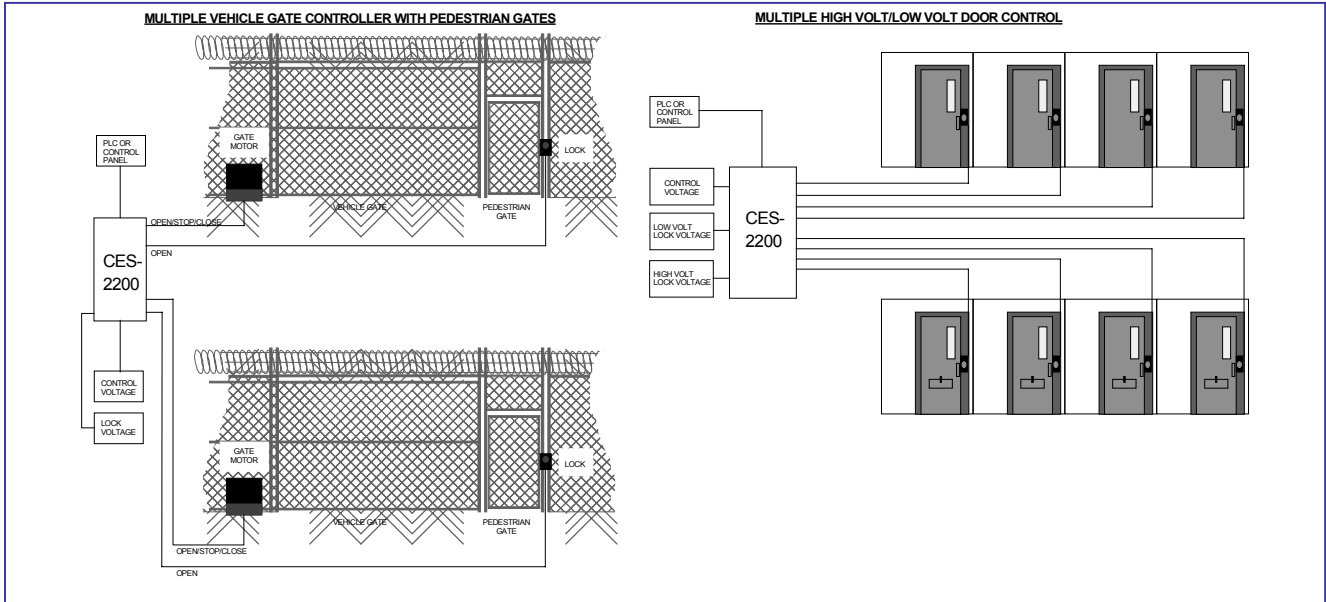
Dimensions (Length x Width x Height):

10⁵/₈" x 3" x 2⁷/₈" (27cm x 7.6cm x 7.3cm)

including rail mounts



Applications



Ordering Information

Locking Relay Card Sinking CES-2200
 Locking Relay Card Sourcing CES-2201

Available Accessories:

Switch Interface Board CES-3001
 Emergency Release Sequencer CES-3100

Correctional Electronics Supply, Inc.

2900 Cole Court
 Norcross, GA. USA 30071
 Ph: (770) 729-9395

sales@cesiusa.com