

## General Description

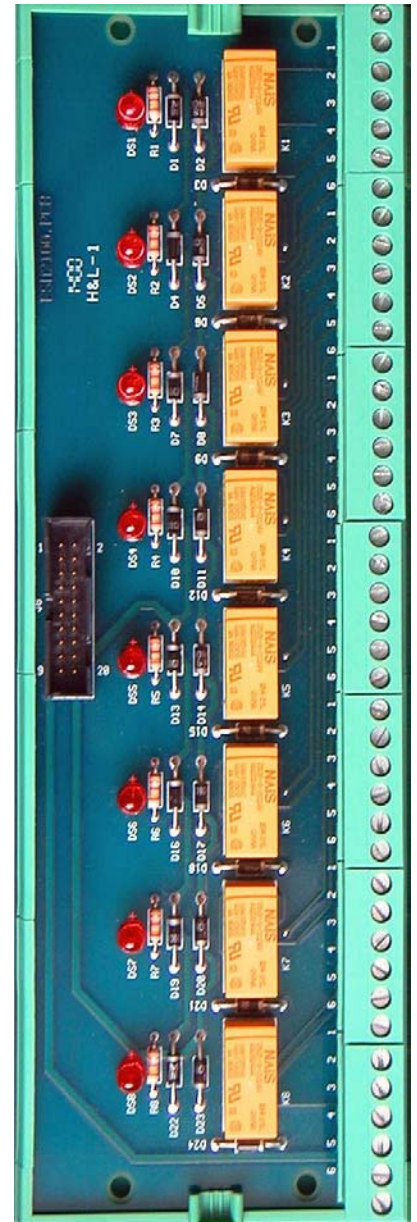
The audio switching relay card provides control over intercom and public address systems. It allows individual intercom stations and public address zones to be selected and deselected. Multiple stations and zones are selectable with all call capability. The audio switching relay card provides 8 audio station capability with an infinite expansion potential. Its two operational busses may be used as an all call buss or as a program buss.

The audio switching relay card can also be used in any low and high voltage switching operations where relay logic is required.

For control panel installation, ribbon cable connection is provided for direct connection to the panel switches for relay activation. For field installation, screw terminal connections are provided for field wiring.

## Features

- Eight (8) DPDT (2 form C) relays
- Status LED for each individual relay
- EMF diode suppression for each relay
- Relay contacts accessible through modular 6 position connectors
- Relay control through discrete wiring or ribbon cable
- Capable of sourcing or sinking type control
- Dual audio buss
- Connector plugs and headers provided for ease of installation and troubleshooting
- Standard din rail mount provided
- Compatible with hardwired, PLC, or other processor based systems
- 5 year limited warranty



# Specifications

**Input Voltage:** 22-28VDC

**Current Consumption @ 24VDC:**

- 3 $\mu$ A during initial power up w/no relays energized
- Additional 26mA per energized relay
- 210mA with all 8 relays energized at once (max)

**Power Consumption @ 24VDC:**

- 72 $\mu$ W during initial power up w/no relays energized
- Additional 624mW per energized relay
- 5W (max)

**Control Voltage:**

+24VDC (sourcing) or Common Ground (sinking)

**Contact Ratings:**

0.6A @ 125VAC, 0.6A @ 110VDC, 2A @ 30VDC.

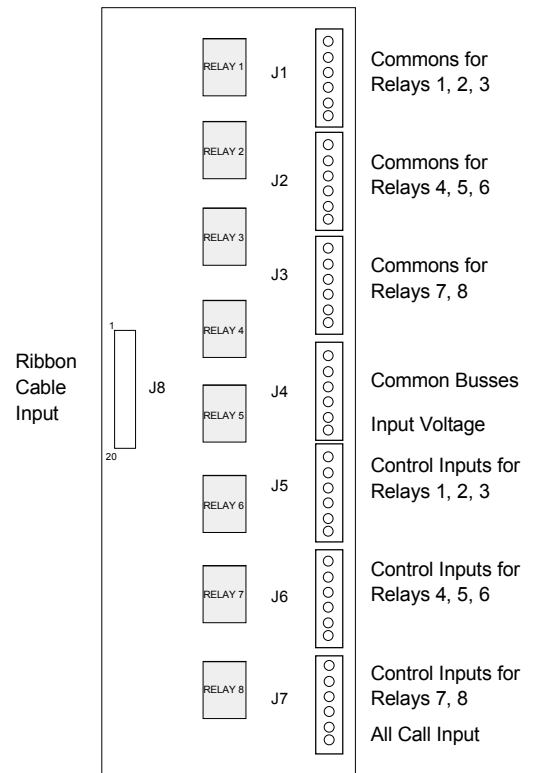
**Cable Termination:**

- Screw terminal blocks, 10sq mm, 30-12 AWG.
- Ribbon cable connection, 20 conductors, 28 AWG.

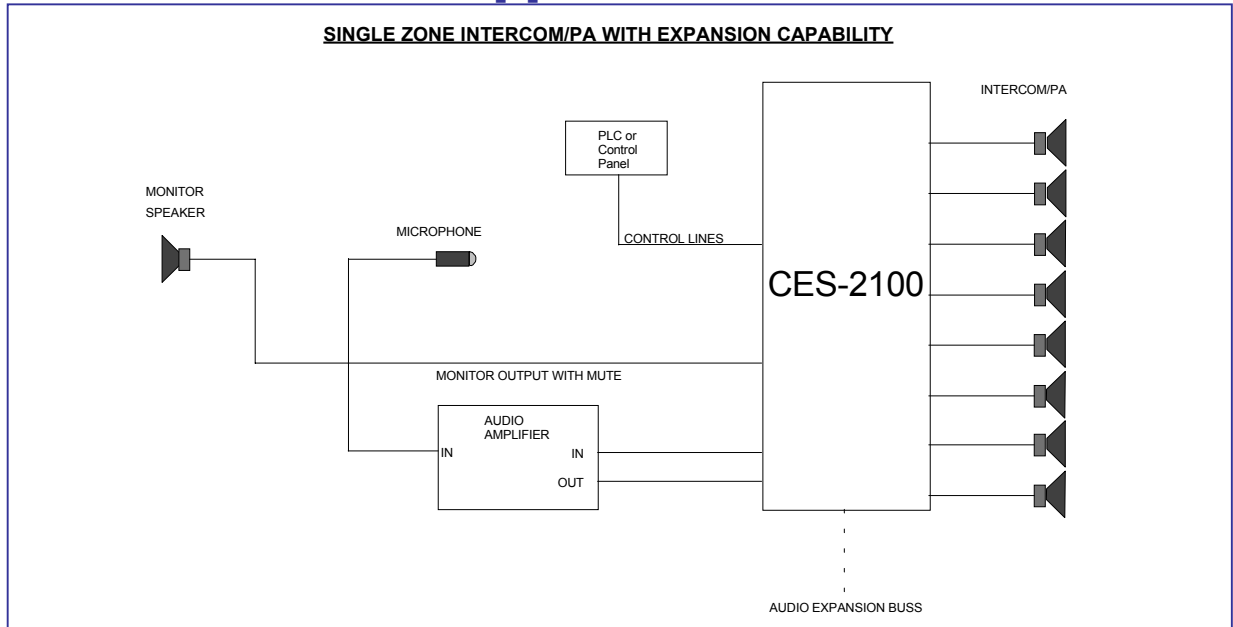
**Operating Temperature:** -55°C to +175°C

**Dimensions (Length x Width x Height):**

9" x 3" x 2 $\frac{1}{4}$ " (23cm x 7.6cm x 5.7cm)  
including rail mounts



# Applications



# Ordering Information

Audio Switching Relay Card CES-2100

**Available Accessories:**

General Purpose Relay Card CES-2000

**Correctional Electronics Supply, Inc.**

2900 Cole Court  
Norcross, GA. USA 30071  
Ph: (770) 729-9395

sales@cesiusa.com