



General Description

The general purpose relay card provides control for both low and high voltage switching applications. It is ideal for telephone control, lighting control, fan control, and audio applications such as intercoms and public address systems.

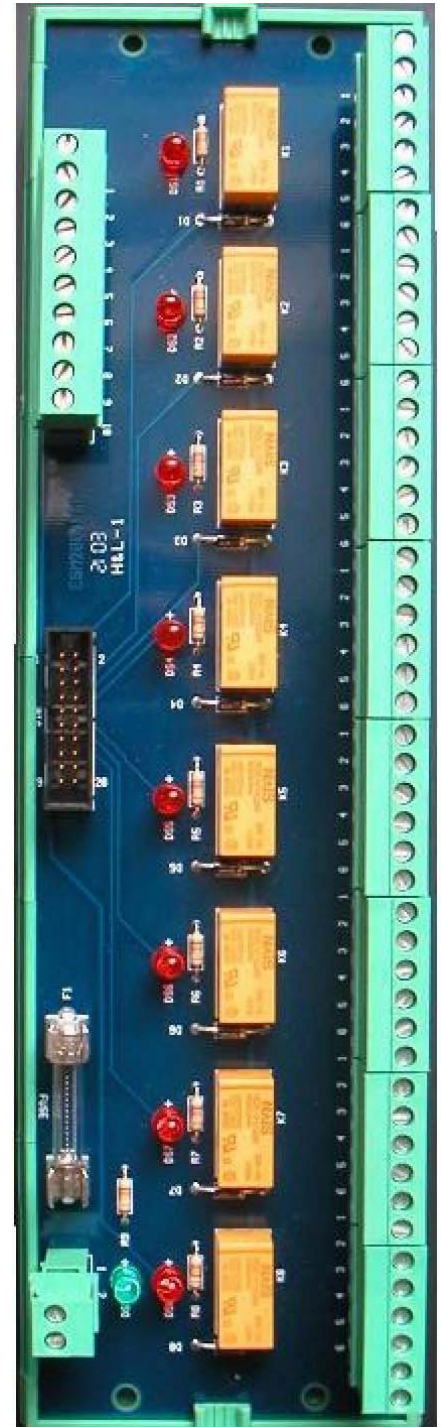
DPDT relay contacts are provided on the general purpose relay card to accommodate a wide variety of wiring schemes. Each relay can be individually activated with the system common. Compared to hardwired relays and bases, the general purpose relay card provides for a cost effective, quick field installation.

For control panel installation, a ribbon cable connector is provided for direct connection to the panel switches for relay activation. For field installation, screw terminal connections are provided for field wiring.

The general purpose relay card easily interfaces with CESI switch interface board through direct ribbon cable connection for power up and relay activation.

Features

- Eight (8) DPDT (2 form C) relays
- Input power fused protection with LED indication
- Status LED for each individual relay
- EMF diode suppression for each relay
- Relay contacts accessible through modular 6 position connectors
- Relay control through discrete wiring or ribbon cable
- Connector plugs and headers provided for ease of installation and troubleshooting
- Standard din rail mount provided
- Compatible with hardwired, PLC, or other processor based Systems
- 5 year limited warrant



Specifications

Input Voltage: 22-28VDC

Current Consumption @ 24VDC:

- 37mA during initial power up w/no relays energized
- Additional 17mA per energized relay
- 175mA with all 8 relays energized at once (max)

Power Consumption @ 24VDC:

- 890mW during initial power up w/no relays energized
- Additional 408mW per energized relay
- 4.3W (max)

Fuse Rating: 1A (max)/250V fast blown for input power

Control Voltage: Common Ground (sinking)

Contact Ratings:

- 0.6A @ 125VAC
- 0.6A @ 110VDC
- 2A @ 30VDC

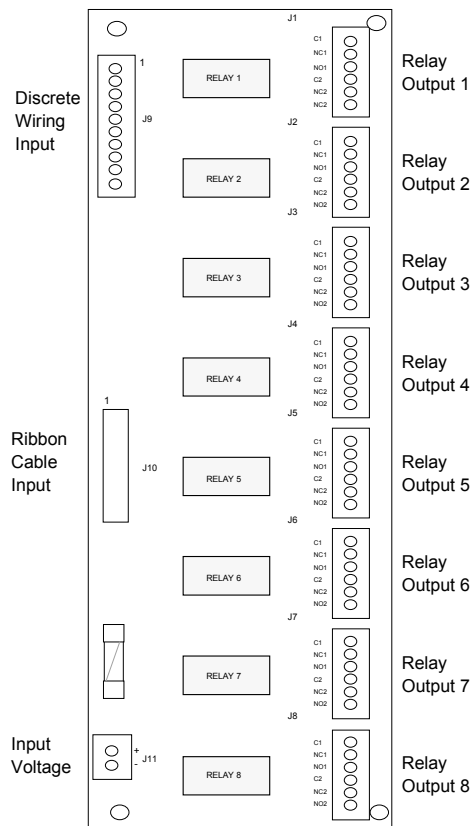
Cable Termination:

- Screw terminal blocks, 10sq mm, 30-12 AWG.
- Ribbon cable connection, 20 conductors, 28 AWG.

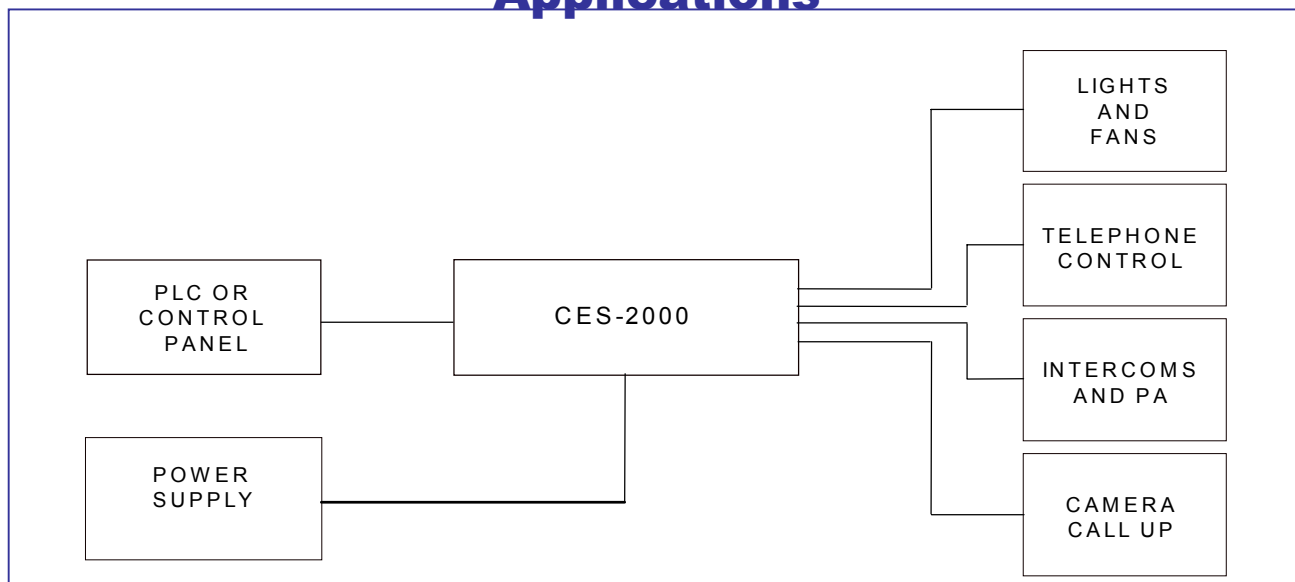
Operating Temperature: -55°C to +175°C

Dimensions (Length x Width x Height):

- 10⁵/₈" x 3" x 2¹/₄" (27cm x 7.6cm x 5.7cm)
- including rail mounts



Applications



Ordering Information

General Purpose Relay Card	CES-2000
Available Accessories:	
Switch Interface Board	
Sinking In / Sinking Out	CES-3001A
Sourcing In / Sinking Out	CES-3001D
Emergency Release Sequencer	CES-3100

Correctional Electronics Supply, Inc.
 2900 Cole Court
 Norcross, GA. USA 30071
 Ph: (770) 729-9395
sales@cesiusa.com